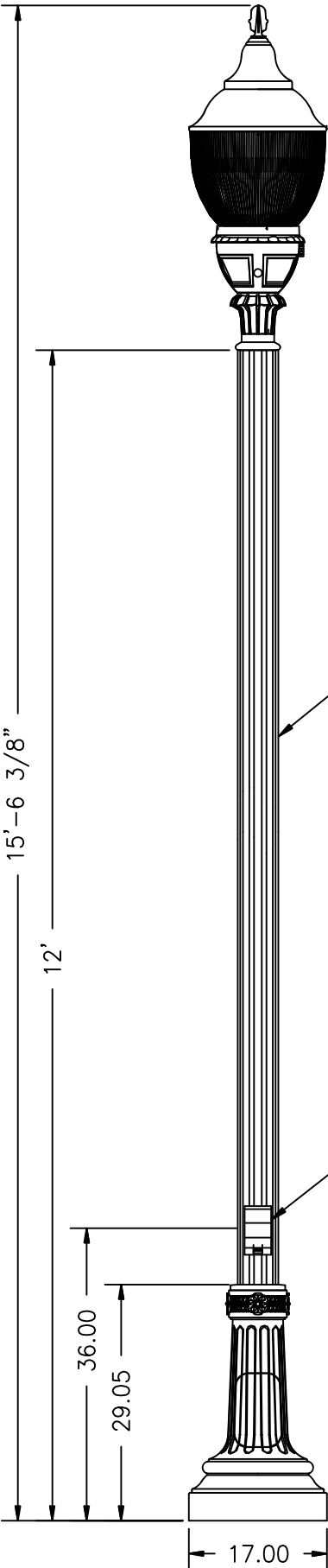


Ordering Guide:
 C12784: LUMINAIRE
 CP12784: POLE



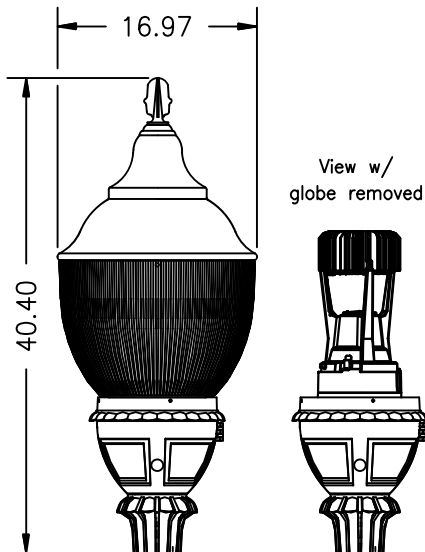
Color:
 Black

POLE:
 5" ROUND STRAIGHT FLAT
 FLUTED ALUMINUM W/
 3" O.D. TENON,
 0.188"-0.267" WALL
 THICKNESS,
 CAST ALUMINUM BASE
 W/ ACCESS COVER

OUTLET:
 120V DUPLEX RECEPTACLE
 W/ IN-USE COVER

BASE TEMPLATE
 #T01000345

Luminaire Detail
 Scale 1:16



COLOR:
 X BLACK
 _ WHITE
 _ VERDE
 _ BRONZE
 _ GREEN

WATTAGE:
 _ 40W
 X 65W

PHOTO CONTROL:
 _ 120V BUTTON-EYE
 _ 208V/240V/277V BUTTON-EYE
 X TWIST-LOCK RECEPTACLE
 _ NONE

Ecoswap Module Specifications:

- 42, 4000K (neutral) Philips Lumileds Luxeon R LEDs, typical 75 Color Rendering Index (CRI), >56,000 hours of operational life (at 25°C ambient temperature & 70% lumen maintenance), injection molded Type V optical plates.
- Integral Philips Advance Xitanium LED driver, 500mA, Intellivolt 120-277 VAC, 50-60 Hz, 10kV surge suppression.

PRODUCT APPROVALS

HADCO

GH

CUST.

CONFIDENTIAL:

This drawing is confidential and proprietary to Philips Hadco and may not be reproduced without the express written consent of Philips Hadco. Any use hereof or of any of the information or detail herein shall be for the sole benefit of Philips Hadco.

NOTICE:

THIS DRAWING IS FOR REFERENCE ONLY. CHECK FOR LATEST REVISION PRIOR TO ORDERING

Full
 Specification
 Drawing
 (Complete Assembly)



100 Craftway Drive
 Littlestown, Pa 17340
 Phone 800-331-4185
 Fax 717-359-9289
 www.hadco.com

JOB NAME:

City of Allentown
 - Arena

REP. TERRITORY:

67

DRAWN BY:

SMK

SCALE:

1:20

DATE:

04/28/14

DRAWING NUMBER:

C12784-DWG01

REP:

Penn Lighting

REV: B

PCN: 14-022

BY: SMK

DATE: 05/14/14